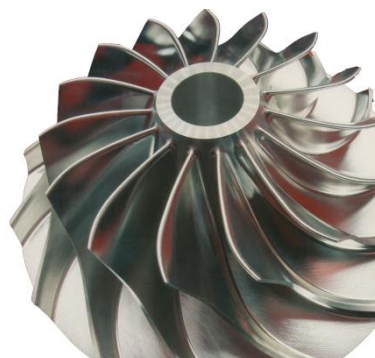
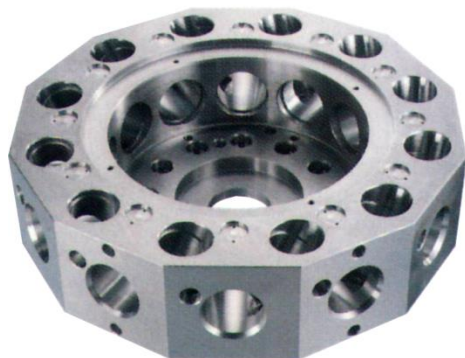




Features

1. Full-enclosed cover, the upper left and right portions of the cover are fully enclosed when the doors are closed. This design prevents cutting fluid from splashing out and makes waste gas gathering available.
2. High speed ball-type linear guide ways for all 3 axes.
3. Wide span guide ways of Y axis. (2-rail structure)
4. Wide selection on ATC to meet your needs from 16-tool umbrella type to 24-tool arm type.
5. An individual pneumatic reservoir beside the column, as to ensure the pneumatic operation in normal function under unstable air supply.



Technical specifications

Item		Unit	SVMC650L	SVMC850L	SVMC1050L	SVMC1200L	SVMC1400L	SVMC1800L	SVMC2000L
Table	Size	mm	800 x 460	1000 x 460	1200 x 460	1300 x 620	1500 x 620	1900 x 800	2100 x 800
	T-slot	mm	CD 80 x 80 x 5	CD 80 x 80 x 5	CD 80 x 80 x 5	CD 125 x 18 x 5	CD 125 x 18 x 5	CD 150 x 18 x 5	CD 150 x 18 x 5
	Max. load weight	kg	300	500	600	1000	1000	2000	2000
Stroke	X-axis	mm	650	850	1050	1220	1420	1800	2000
	Y-axis	mm	510	510	510	660	660	820	820
	Z-axis	mm	610	610	610	610	610	820	820
	Spindle nose to table	mm	100-710	100-710	100-710	150-760	150-760	200-1020	200-1020
	Spindle center to Z-axis	mm	550	550	550	750	750	840	840
	Spindle taper		ISO30 / ISO40	ISO30 / ISO40	ISO30 / ISO40	ISO40 / ISO50	ISO40 / ISO50	BT40	BT40
	Speed	rpm	10000	10000	10000	10000	10000	10000	10000
Power	kw	7.5 / 11	7.5 / 11	7.5 / 11	11/15	11/15	15/18.5	15/18.5	
Guideway	Linear guideway		Ball type	Ball type	Ball type	Roller type	Roller type	Roller type	Roller type
	Slide way X/Y/Z		2/2/2	2/2/2	2/2/2	2/3/2	2/3/2	3/4/2	3/4/2
Feedrate	Max. cutting feed	m/min	10000	10000	10000	10000	10000	10000	10000
	Rapid sped of X/Y/Z	m/min	36	36	36	30	30	15	15
ATC	Tool capacity		16	16	16	24	24	24	24
	#40 tool size/adjacent tools	mm	80x300	80x300	80x300	80x300	80x300	80x300	80x300
	#50 tool size/adjacent tools				110X350		110x350	110x350	110x350
	#40 tool weight	Kg	7	7	7	7	7	7	7
	#50 tool weight				15		15	15	15
Tool shank		BT/CAT/DIN	BT/CAT/DIN	BT/CAT/DIN	BT/CAT/DIN	BT/CAT/DIN	BT/CAT/DIN	BT/CAT/DIN	
General	Overall size	mm	2200x2050x2600	2200x2050x2600	2700x2050x2600	3500x2250x2800	3500x2250x2800	4600x3200x3300	4600x3200x3300
	Machine weight	kg	3700	4000	4300	8500	8500	18000	19000

Standard accessories

SVMC 650L	SVMC850L
<ol style="list-style-type: none"> 1. Fanuc 0i-MD controller with 8.4"LCD monitor 2. BT 40/ 10000 rpm spindle(belt type) 3. Cutting coolant system 4. Umbrella type ATC16 tools 5. Remote manual pulse generator 6. Heat exchanger for electrical cabinet 7. Full-enclosed splash guard 8. Automatic lubrication system 9. Work lamp 10. Indication lamp 11. Tool box 12. Leveling bolts & blocks 13. Wooden case packing 	<ol style="list-style-type: none"> 1. Fanuc 0i-MD controller with 8.4"LCD monitor 2. BT 40/ 10000 rpm spindle(belt type) 3. Cutting coolant system 4. Umbrella type ATC16 tools 5. Remote manual pulse generator 6. Heat exchanger for electrical cabinet 7. Full-enclosed splash guard 8. Automatic lubrication system 9. Work lamp 10. Indication lamp 11. Tool box 12. Leveling bolts & blocks 13. Wooden case packing
SVMC1050L	SVMC1200L
<ol style="list-style-type: none"> 1. Fanuc 0i-MD controller with 8.4"LCD monitor 2. BT 40/ 10000 rpm spindle (belt type) 3. Cutting coolant system 4. Umbrella type ATC 16 tools 5. Remote manual pulse generator 6. Heat exchanger for electrical cabinet 7. Full-enclosed splash guard 8. Automatic lubrication system 9. Work lamp 10. Indication lamp 11. Tool box 12. Leveling bolts & blocks 	<ol style="list-style-type: none"> 1. Fanuc 0i-MD with 8.4"LCD monitor 2. BtT40/10000 rpm spindle(belt type) 3. Cutting coolant system 4. Arm type ATC 24 tools 5. Remote manual pulse generator 6. Heat exchanger for electrical cabinet 7. Full enclosed splash guard 8. Automatic lubrication system 9. Work lamp 10. Indication lamp 11. Tool box 12. Leveling bolts & blocks
SVMC1400L	SVMC1800L
<ol style="list-style-type: none"> 1. Fanuc 0i-MD with 8.4"LCD monitor 2. BT40/10000 rpm spindle (belt type) 3. Cutting coolant system 4. Arm type ATC 24 tools 5. Remote manual pulse generator 6. Heat exchanger for electrical cabinet 7. Full enclosed splash guard 8. Automatic lubrication system 9. Work lamp 10. Indication lamp 11. Tool box 12. Leveling bolts & blocks 	<ol style="list-style-type: none"> 1. Fanuc 0i-MD with 8.4"LCD monitor 2. BT40/10000 rpm spindle (belt type) 3. Cutting coolant system 4. Arm type ATC 24 tools 5. Remote manual pulse generator 6. Heat exchanger for electrical cabinet 7. Full-enclosed splash guard 8. Automatic lubrication system 9. Work lamp 10. Indication lamp 11. Tool box 12. Leveling bolts & blocks
SVMC2000L	
<ol style="list-style-type: none"> 1. Fanuc 0i-MD with 8.4"LCD monitor 2. BT40/10000 rpm spindle (belt type) 3. Cutting coolant system 4. Arm type ATC 24 tools 5. Remote manual pulse generator 6. Heat exchanger for electrical cabinet 7. Full-enclosed splash guard 8. Automatic lubrication system 9. Work lamp 10. Indication lamp 11. Tool box 12. Leveling bolts & blocks 	

Optional Accessories:

SVMC650L	SVMC850L
1. Upgrade to Fanuc 18i-MB with 10.4" LCD monitor + manual guide	1. Upgrade to Fanuc 18i-MB with 10.4" LCD monitor + manual guide
2. AINO HPCC for 18i-MB	2. AINO HPCC for 18i-MB
3. AINO CC for 18i-MB	3. AINO CC for 18i-MB
4. Upgrade to Fanuc 0i-MD With 10.4"LCD monitor +manual guide	4. Upgrade to Fanuc 0i-MD with 10.4"LCD monitor +manual guide
5. Fanuc AICC2 for 0i-MD	5. Fanuc AICC2 for 0i-MD
6. Fanuc data server+1GB	6. Fanuc data server+1GB
7. Bt 40/ 12000 rpm spindle(belt type)-β8i	7. Bt 40/ 12000 rpm spindle(belt type)-β8i
8. Bt 40/ 10000 rpm spindle(IDD type)-β8i	8. Bt 40/ 10000 rpm spindle(IDD type)-β8i
9. Bt 40/ 12000 rpm spindle(IDD type)-α6i	9. Bt 40/ 12000 rpm spindle(IDD type)-α6i
10. Bt 40/ 12000 rpm spindle(IDD type)-αt6i	10. Bt 40/ 12000 rpm spindle(IDD type)-αt6i
11. Bt 40/ 15000 rpm spindle(IIDD type)-αt6i	11. Bt 40/ 15000 rpm spindle(IDD type)-αt6i
12. Bt 40/ 15000 rpm spindle(built-in type)	12. Bt 40/ 15000 rpm spindle(built-in type)
13. Bt 40/ 20000 rpm spindle(built-in type)	13. Bt 40/ 20000 rpm spindle(built-in type)
14. Extra charge for arm type ATC 24 tools	14. Extra charge for arm type ATC 24 tools
15. Spindle oil cooler	15. Spindle oil cooler
16. Screw type chip conveyor	16. Screw type chip conveyor
17. Link belt type chip conveyor	17. Link belt type chip conveyor
18. Linear scale for 3 axes	18. Linear scale for 3 axes
19. Coolant through spindle 20 Bar (belt type spindle)	19. Coolant through spindle 20 bar (belt type spindle)
20. Coolant through spindle 20 Bar (IDD type spindle) with upgrading spindle motor αt6i	20. Coolant through spindle 20 bar (IDD type spindle) with upgrading spindle motor αt6i
21. Coolant through spindle 20 Bar (built-in type spindle)	21. Coolant through spindle 20 bar(built-in type spindle)
22. CNC rotary table 170-β8i	22. CNC rotary table 170-β8i
23. CNC rotary table 210-β8i	23. CNC rotary table 210-β8i
24. CNC rotary table 250-β8i	24. CNC rotary table 250-β8i
25. CNC rotary table 170-α4i	25. CNC rotary table 170-α4i
26. CNC rotary table 210-α4i	26. CNC rotary table 210-α4i
27. CNC rotary table 250-α8i	27. CNC rotary table 250-α8i
28. Touch probe for tools setting (Metrol T24e)	28. Touch probe for tools setting (Metrol t24e)
29. Touch probe for tool setting (Reinishaw Ts27r)	29. Touch probe for tool setting (Reinishaw ts27r)
30. Touch probe for work piece (Blum Tc-52)	30. Touch probe for work piece (Blum tc-52)
31. Machine tool probe (Reinshaw omp40-2)	31. Machine tool probe (Reinshaw omp40-2)
32. Oil mist collector	32. Oil mist collector
33. Chip flushing system	33. Chip flushing system
34. Transformer	34. Transformer
35. CE+EMC standard	

Optional accessories:

SVMC1050L	SVMC1200L
1. Upgrade to Fanuc 18iMB with 10.4" LCD monitor + manual guide	1. Upgrade to Fanuc 18i-MB with 10.4" LCD monitor + manual guide
2. AINO HPCC for 18i-MB	2. AINO HPCC for 18i-MB
3. AINO CC for 18i-MB	3. AINO CC for 18i-MB
4. Upgrade to Fanuc 0i-MD with 10.4"LCD monitor +manual guide	4. Upgrade to Fanuc 0i-MD with 10.4"LCD monitor +manual guide
5. Fanuc AICC2 for 0i-MD	5. Fanuc AICC2 for 0i-MD
6. Fanuc data server+1GB	6. Fanuc data server+1GB
7. Bt 40/ 12000 rpm spindle(belt type)-β8i	7. Upgrade to αp22i- 11 /15 kw or α15i-15/18.5kw spindle motor
8. Bt 40/ 10000 rpm spindle(IDD type)-β8i	8. BT 40/ 12000 rpm spindle(belt type)
9. Bt 40/ 12000 rpm spindle(IDD type)-α6i	9. BT 40/ 10000 rpm spindle(IDD type)
10. Bt 40/ 12000 rpm spindle(IDD type)-αt6i	10. BT 40/ 12000 rpm spindle(IDD type)
11. Bt 40/ 15000 rpm spindle(IDD type)-αt6i	11. BT 40/ 15000 rpm spindle(IDD type)-with upgrading spindle motor αt15i
12. Bt 40/ 15000 rpm spindle(built-in type)	12. BT 40/ 20000 rpm spindle(built-in type)
13. Bt 40/ 20000 rpm spindle(built-in type)	13. BT 50/ 6000 rpm spindle(belt type)
14. Extra charge for arm type ATC 24 tools	14. Extra charge for HSK a63 spindle taper instead of BT40 taper
15. Spindle oil cooler	15. Extra charge for HSK a80/a100 spindle taper instead of BT50 taper
16. Screw type chip conveyor	16. Upgrade to disk type ATC, 30 tools instead of BT40, 24 tools arm type ATC
17. Link belt type chip conveyor	17. Upgrade to chain type ATC, 32 tools instead of BT40, 24 tools arm type ATC
18. Linear scale for 3 axes	18. Upgrade to chain type ATC, 32 tools instead of BT50, 24 tools arm type ATC
19. Coolant through spindle 20 bar (belt type spindle)	19. Spindle oil cooler
20. Coolant through spindle 20 bar (IDD type spindle) with upgrading spindle motor αt6i	20. Link belt type chip conveyor
21. Coolant through spindle 20 bar(built-in type spindle)	21. Linear scale for 3 axes
22. CNC rotary table 170-β8i	22. Coolant through spindle 20 bar (belt type spindle)
23. CNC rotary table 210-β8i	23. Coolant through spindle 20 bar (IDD type 12000rpm spindle) with upgrading spindle motor αt8i
24. CNC rotary table 250-β8i	24. Coolant through spindle 20 bar (IDD type 15000rpm spindle) with upgrading spindle motor αt8i
25. CNC rotary table 170-α4i	25. Coolant through spindle 20 bar(built-in type spindle)
26. CNC rotary table 210-α4i	26. CNC rotary table 170-α4i
27. CNC rotary table 250-α8i	27. CNC rotary table 210-α4i
28. Touch probe for tools setting (Metrol t24e)	28. CNC rotary table 250-α4i
29. Touch probe for tool setting (Renishaw ts27r)	29. CNC rotary table 320-α12i
30. Touch probe for work piece(Blum tc-52)	30. Touch probe for tools setting (Metrol t24e)
31. Machine tool probe (Renishaw omp40-2)	31. Touch probe for tool setting (Renishaw ts27r)
32. Oil mist collector	32. Touch probe for work piece (Blum tc-52)
33. Chip flushing system	33. Machine tool probe (Renishaw omp40-2)
34. Transformer	34. Oil mist collector
	35. Chip flushing system
	36. Transformer

Standard Accessories:**SVMC2000L**

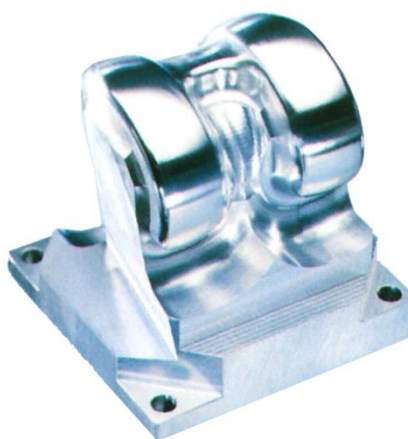
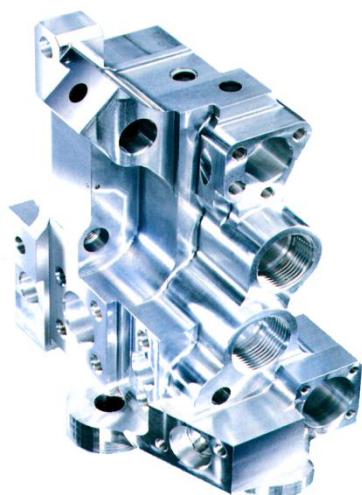
1. Upgrade to Fanuc 18i-MB with 10.4" LCD monitor + manual guide
2. AINO HPCC for 18i-MB
3. AINO CC for 18i-MB
4. Upgrade to Fanuc 0i-MD with 10.4" LCD monitor + manual guide
5. Fanuc AICC2 for 0i-MD
6. Fanuc data server+1GB
7. Upgrade to α 22i- 11 /15 kw or α 15i-15/18.5kw spindle motor
8. BT 40/ 12000 rpm spindle (belt type)
9. BT 40/ 10000 rpm spindle (IDD type)
10. BT 40/ 12000 rpm spindle (IDD type)
11. BT 40/ 15000 rpm spindle (IDD type)-with upgrading spindle motor α 15i
12. BT 40/ 20000 rpm spindle (built-in type)
13. BT 50/ 6000 rpm spindle (belt type)
14. Extra charge for HSK a63 spindle taper instead of BT40 taper
15. Extra charge for HSK a80/a100 spindle taper instead of BT50 taper
16. Upgrade to disk type ATC, 30 tools instead of BT40, 24tools arm type ATC
17. Upgrade to chain type ATC, 32 tools instead of BT40, 24tools arm type ATC
18. Upgrade to chain type ATC, 32 tools instead of BT50, 24tools arm type ATC
19. Spindle oil cooler
20. Link belt type chip conveyor
21. Linear scale for 3 axes
22. Coolant through spindle 20 bar (belt type spindle)
23. Coolant through spindle 20 bar (IDD type 12000rpm spindle) with upgrading spindle motor α 8i
24. Coolant through spindle 20 bar (IDD type 15000rpm spindle) with upgrading spindle motor α 8i
25. Coolant through spindle 20 bar (built-in type spindle)
26. CNC rotary table 170- α 4i
27. CNC rotary table 210- α 4i
28. CNC rotary table 250- α 4i
29. CNC rotary table 320- α 12i
30. CNC rotary table 400- α 22I
31. Touch probe for tools setting (Metrol t24e)
32. Touch probe for tool setting (Reinishaw ts27r)
33. Touch probe for work piece (Blum tc-52)
34. Machine tool probe (Reinishaw omp40-2)
35. Oil mist collector
36. Chip flushing system
37. Transformer

SVMC series



Features

1. Full-enclosed cover, the upper left and right portions of the cover are fully enclosed when the doors are closed. This design prevents cutting fluid from splashing out
2. Roller type linear guideways for 3 axes make excellent rigidity at high speed
3. Multiple wide-span guideway of Y-axis (4 rail structure) and X-axis (3 rail structure)
4. Various options on ATC range from #40 to #50, 24 tools to 32 tools.

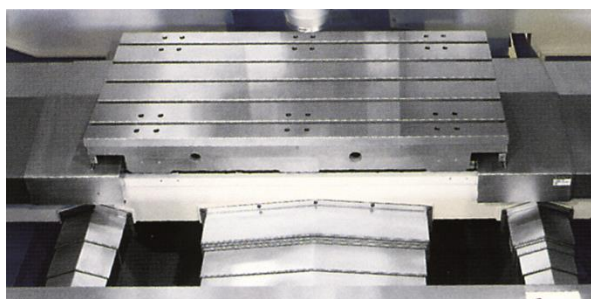
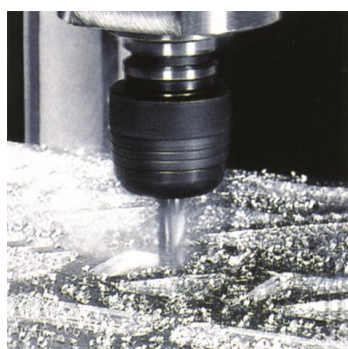
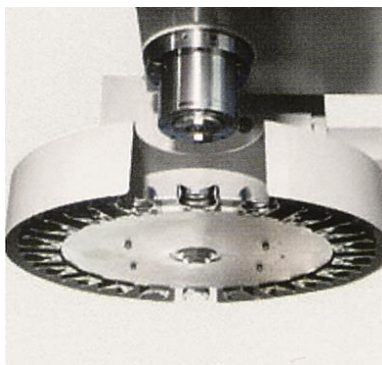
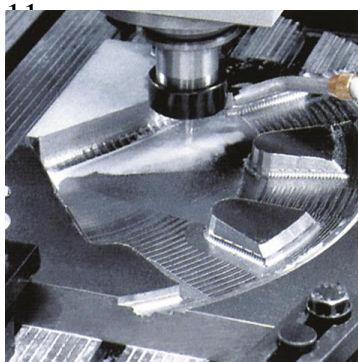


Technical Specifications

Item	Unit	SVMC2200B	SVMC3000B	
Table	Size	mm	2400 x 1000	3300 x 1000
	T-slot	mm	CD 180 x 22 x 5	CD 180 x 22 x 5
	Max. load	kg	3000	3000
Stroke	X-axis	mm	2200	3000
	Y-axis	mm	1000	1000
	Z-axis	mm	800	800
	Spindle nose to table	mm	200-1000	200-1000
	Spindle center to Z-axis	mm	1080	1080
	Spindle taper		ISO50	ISO50
	Speed	rpm	6000(gear box)	6000(gear box)
	Power	kw	15/18.5	15/18.5
Guideway	Type of guide way		Box way	Box way
	Slide way X/Y/Z		2/6/2	2/6/2
Feedrate	Max. cutting feed	m/min	5000	5000
	Rapid sped of X/Y/Z	m/min	10	10
ATC	Tool capacity		24	24
	#50 tool size/adjacent tools	mm	110x350	110x350
	#50 tool weight	kg	15	15
	Tool shank		BT/CAT/DIN	BT/CAT/DIN
General	Overall size	mm	7000x3500x3200	6000x3500x3200
	Machine weight	kg	18500	20000

Standard Accessories

SVMC2200B	SVMC3000B
1. Fanuc 0i-MD with 8.4"LCD monitor	1. Fanuc 0i-MD with 8.4"LCD monitor
2. BT 50/ 6000 rpm spindle (gear box)	2. BT 50/ 6000 RPM spindle (gear box)
3. Cutting coolant system	3. Cutting coolant system
4. Arm type ATC, 24 tools	4. Arm type ATC, 24tools
5. Remote manual pulse generator	5. Remote manual pulse generator
6. Heat exchanger for electrical cabinet	6. Heat exchanger for electrical cabinet
7. Semi-enclosed splash guard	7. Semi-enclosed splash guard
8. Automatic lubrication system	8. Automatic lubrication system
9. Work lamp	9. Work lamp
10. Indication lamp	10. Indication lamp
11. Spindle oil cooler	11. Spindle oil cooler
12. Tool box	12. Tool box
13. Leveling bolts & block	13. Leveling bolts & block



Optional Accessories:

SVMC2200B	SVMC3000B
1. Upgrade to Fanuc 18i-MB with 10.4" LCD monitor + manual guide	1. Upgrade to Fanuc 18i-MB with 10.4" LCD monitor + manual guide
2. AINO HPCC for 18i-MB	2. AINO HPCC for 18i-MB
3. AINO CC for 18i-MB	3. AINO CC for 18i-MB
4. Upgrade to Fanuc 0i-MD with 10.4" LCD monitor +manual guide	4. Upgrade to Fanuc 0i-MD with 10.4" LCD monitor +manual guide
5. Fanuc AICC2 for 0i-MD	5. Fanuc AICC2 for 0i-MD
6. Fanuc data server+1GB	6. Fanuc data server+1GB
7. Link belt type chip conveyor	7. Link belt type chip conveyor
8. Linear scale for 3 axes	8. Linear scale for 3 axes
9. Coolant through spindle 20 bar (belt type spindle)	9. Coolant through spindle 20 bar (belt type spindle)
10. CNC rotary table 170-α4i	10. CNC rotary table 170-α4i
11. CNC rotary table 210-α4i	11. CNC rotary table 210-α4i
12. CNC rotary table 250-α8i	12. CNC rotary table 250-α8i
13. CNC rotary table 320-α12i	13. CNC rotary table 320-α12i
14. Touch probe for tools setting (Metrol T24E)	14. CNC rotary table 400-α22i
15. Touch probe for tool setting (Reinshaw TS27r)	15. Touch probe for tools setting (Metrol T24E)
16. Touch probe for work piece (Blum TC-52)	16. Touch probe for tool setting (Reinshaw TS27r)
17. Machine tool probe (Reinshaw OMP40-2)	17. Touch probe for work piece (Blum TC-52)
18. Oil mist collector	18. Machine tool probe (Reinshaw OMP40-2)
19. Chip flushing system	19. Oil mist collector
20. Transformer	20. Chip flushing system
21. CE +EMC standard	21. Transformer
22. Upgrade to full-enclosed splash guard	22. CE +EMC standard
	23. Upgrade to full enclosed splash guard